

**NUECES COUNTY
CONSTRUCTION CONTRACT CHANGE ORDER FORM**

Change Order No.:	8
--------------------------	---

Project Title:	NUECES COUNTY McKINZIE JAIL ANNEX DORMITORY RENOVATIONS
Project No.:	IFB NO. 3012-16
Owner:	NUECES COUNTY
Contractor:	PROGRESSIVE STRUCTURES, INC.

Reason for Change Order:

Delete All Previously Executed Change Order #7 Items.
(\$29,326.31)

Add Additional Items at Patrol, Dorm, Probation per 3
attached change order proposals = \$ 6,911.50

Amount Added by this Change Order:	DEDUCT	(\$ 22,414.81)
---	--------	----------------

Original Contract Days:	365 WORKING DAYS
Previous Days Added:	113
Days Added this Change Order:	0
Total Project Days:	478 WORKING DAYS



NUECES COUNTY

CONSTRUCTION CONTRACT CHANGE ORDER NUMBER: 8

PROJECT NO.: IFB 3012-16

TABLE A: Force Account Work and Materials Placed into Stock

LABOR	HOURLY RATE	EQUIPMENT	HOURLY RATE

SCHEDULE OF VALUES

TABLE B: Contract Items

ITEM	DESCRIPTION	UNIT	UNIT PRICE	ORIGINAL + PREVIOUSLY REVISIED		NEW		OVERRUN/ UNDERRUN
				QUANTITY	ITEM COST	QUANTITY	ITEMS COST	
TOTALS								



**NUECES COUNTY
CONSTRUCTION CONTRACT CHANGE ORDER FORM**

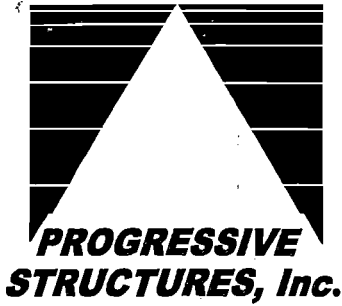
Project Title:	NUECES COUNTY McKENZIE JAIL ANNEX DORMITORY RENOVATIONS
Project No.:	IFB NO. 3012-16
Change Order No.:	8

Contractor:	PROGRESSIVE STRUCTURES, INC.
--------------------	------------------------------

Date of Contract Award:	JANUARY 4, 2017
Original Contract Amount:	\$1,995,000.00
Add Change Order Amount:	(\$ 22,414.81)
Add Previous Change Order Amounts:	\$ 321,651.11
Less Contingency:	0
Adjusted Contract Amount:	\$2,294,236.30

Time Extension No.:	
----------------------------	--

Contractor	Date: 12/14/2017
Director of Public Works	Date:
Nueces County Judge	Date:



P.O. Box 270713
Corpus Christi, Texas 78427-0713

(361) 852-9651 * Fax (361) 852-3321

December 11, 2017 (rev. 12/14/17)

Turner Ramirez Architects
Attn: Mr. Diego Martinez
5525 S. Staples Suite A-7
Corpus Christi, TX 78411

Subject: McKinzie Jail Annex (Patrol)

Dear Mr. Martinez,

We propose to complete the additional scoped work per sketches and bid proposals attached.
The list of inclusions is provided below.

1. Complete additional wall furr-out framing to accommodate millwork additions at patrol squad Room (millwork not included).

Total Price: \$ 575.00

Accepted by: _____ Date: _____

Sincerely,

Craig Baldree

MCKINZIE JAIL ANNEX ADDITIONAL SCOPE

ADDITIONAL FURR-OUT WORK AT SQUAD ROOM WALL FOR CABINETS

\$500.00	
----------	--

SUM OF BIDS	\$500.00
SUB-TOTAL	\$500.00
15% OH&P	\$75.00
TOTAL	\$575.00

Craig Baldree

From: kurt Strauss <kpstrauss1@yahoo.com>
Sent: Tuesday, October 17, 2017 1:07 PM
To: Craig Baldree
Subject: Re: Furr out in squad room *Modified*



Hi Craig, the material is about the same but labor will be considerably more because it is cut up and there is a horizontal divider as well. Add \$500.00 to accommodate the cabinet furring. Thanks -Kurt

On Tuesday, October 17, 2017 10:17 AM, Craig Baldree <craigpsi@grandecom.net> wrote:

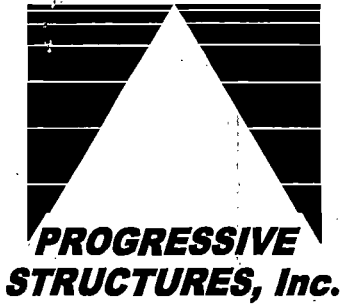
Kurt,

The squad room originally had a rectangular furr out that would be located above the file cabinets. Instead the owner is wanting to incorporate some built in shelving into the design. See the attachment for the re-design. He is showing the ceiling at 9' on this sketch, but the field measurement on our ceiling elevation is closer to 9'-8". Let me know if you have any questions. I mainly want to see if you are going to have a pricing change to incorporate these millwork openings. If so, I'll put it with the change order that I'm requesting from everyone. If the pricing doesn't change then I just need to get a greenlight on this drawing as a definite for construction drawing so that you can complete the work before your framing crew leaves.

Thanks,

Craig Baldree | **Progressive Structures, Inc.**
P.O. Box 270713 Corpus Christi, TX 78427-0713
(361) 852-9651 office | (361) 438-4687 cell | <http://www.progressivestructuresinc.com>





P.O. Box 270713
Corpus Christi, Texas 78427-0713

December 11, 2017 (rev. 12/12/17)

(361) 852-9651 * Fax (361) 852-3321

Turner Ramirez Architects
Attn: Mr. Diego Martinez
5525 S. Staples Suite A-7
Corpus Christi, TX 78411

Subject: McKinzie Jail Annex (ADA Related Probation & Patrol Changes)

Dear Mr. Martinez,

We propose to complete the additional scoped work per sketches and bid proposals attached.
The list of inclusions is provided below.

1. Provide and install a 24" X 48" ADA approved changing bench at the probation area.
2. Change existing non-compliant patrol drinking fountain to an ADA compliant Hi/Lo drinking fountain.

Total Price: \$ 4,266.50

Accepted by: _____ Date: _____

Sincerely,

Craig Baldree

MCKINZIE JAIL ANNEX ADDITIONAL SCOPE

12/11/17

BENCH FOR PROBATION (MATERIAL)
BENCH FOR PROBATION (MOUNTING LABOR)
PLUMBING ADDITIONS AT PATROL

\$767.00		\$767.00
\$135.00		\$135.00
\$2,808.00		\$2,808.00

SUM OF BIDS
SUB-TOTAL
15% OH&P
TOTAL

\$3,710.00
\$3,710.00
\$556.50
\$4,266.50

Malek Inc.

MECHANICAL CONTRACTORS
TACLA000540C & M-38271
P.O. Box 679
Corpus Christi, Tx. 78403
(361)888-8281
(361)888-7257 (Fax)

August 17, 2017

Attn.; Craig Baldree

Re; Patrol Area

Dear, Sir

We are pleased to present our proposal for the above referenced project. We propose to furnish the necessary labor, materials and equipment to complete the scope of work in accordance with the following:

- Local, State, and Federal Code

CLARIFICATION

PATROL PLUMBING

1. Remove old drinking fountain , install new drinking fountain and install carrier in same area.
2. Adjust pipes in the wall for new drinking fountain.
3. Demo of wall and any blocking need by others.

EXCLUSIONS:

Our proposal does not include the following:

1. Cost of Performance and / or Payment Bonds
2. Builder's Risk Insurance.
3. Demolition of structural, walls, ceilings, equipment pads.
4. Fire Protection , Painting and electrical
5. Clean-up(we will clean up our own identifiable scrap). No offsite haul off is included
6. Liquidated Damages.
7. Concrete work including housekeeping pads, grouting, patching, coring, cutting replacing etc.
8. Roof work including cutting, patching or repair.
9. The cost or indemnification for dealing with any hazardous materials that may be present or discovered at work site including abatement.
10. Sales Tax

11. Overtime

GENERAL CONDITIONS

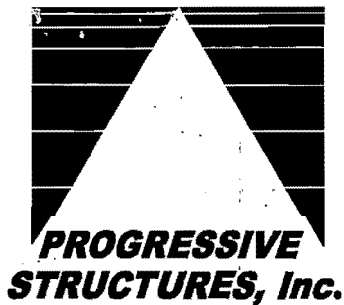
1. This proposal is good for (30) days.
2. If awarded this project, this document must be made part of our contract.

Total for above; \$ 2808
No Sales Taxes Include

We appreciate this opportunity to present our proposal. Please do not hesitate to call if you have any questions or require any further assistance.

Sincerely,
Malek, Inc.

Harold Palmer
Project Manager, Responsible Master Plumber M-38271
Malek Inc
361-888-8281 ext. 136
Cell 361-877-0701
Texas State Board of Plumbing Examiners
PO Box 4200, Austin TX 78765
512-936-5200
SCR-U-2165315, RME-U-2165085 Underground Fire Sprinkler License



P.O. Box 270713
Corpus Christi, Texas 78427-0713

(361) 852-9651 * Fax (361) 852-3321

December 11, 2017

Turner Ramirez Architects
Attn: Mr. Diego Martinez
5525 S. Staples Suite A-7
Corpus Christi, TX 78411

Subject: McKinzie Jail Annex (dorm)

Dear Mr. Martinez,

We propose to complete the additional scoped work per sketches and bid proposals attached.
The list of inclusions is provided below.

1. Security contractor to complete custom steel backboxes at 18 intercom locations on detention frames to accommodate county intercoms.

Total Price: \$ 2,070.00

Accepted by: _____ Date: _____

Sincerely,

Craig Baldree

MCKINZIE JAIL ANNEX ADDITIONAL SCOPE (dorm)

12/11/17

18 CUSTOM INTERCOM BOXES AT DORM FRAMES

\$1,800.00

\$1,800.00

SUM OF BIDS

\$1,800.00

SUB-TOTAL

\$1,800.00

15% OH&P

\$270.00

TOTAL

\$2,070.00

From: Mark Harmon

Sent: Tuesday, September 26, 2017 8:33 AM

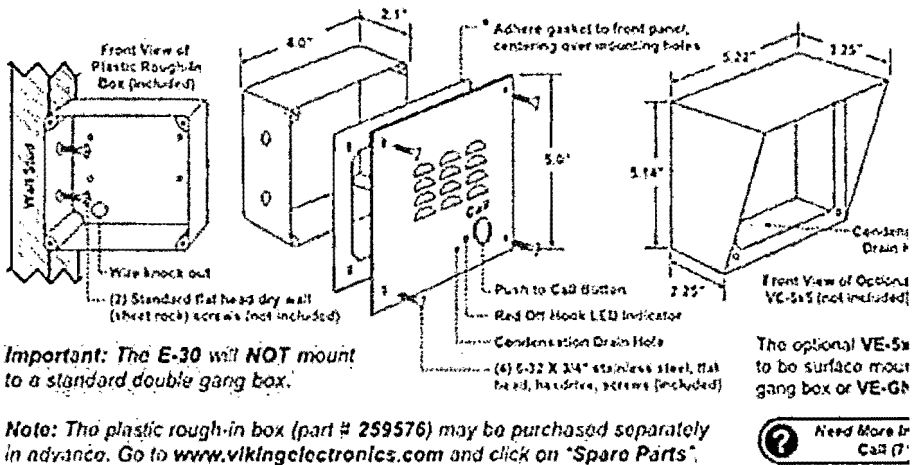
To: Craig Baldree <craigpsi@grandecom.net>; Todd Clark <tclark@argylesecurity.com>

Cc: Diego Martinez <dgm@trarch.com>

Subject: RE: McKinzie Jail (RF16response.09.05.17)

Importance: High

Craig: We have a new problem. The Viking Intercom requires a custom back box which, according to the product data, is plastic...



We cannot install a plastic back box in a detention hollow metal frame. We will either have to provide a custom-fabricated back box for these (\$100ea), or a different intercom will have to be used.

How do you wish to proceed?

X
18 = \$ 1,800

Thanks Mark

O. 210.878.4510

C. 210.870.8091